

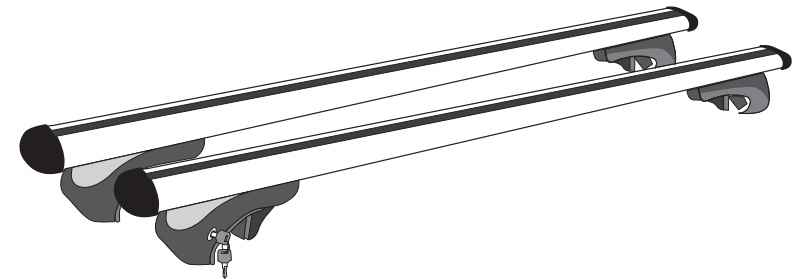


## Roofpax Roof Crossbar Installation INSTRUCTION MANUAL

Activate Your Warranty:



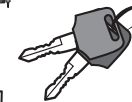
[roofpax.com/warranty](https://www.roofpax.com/warranty)



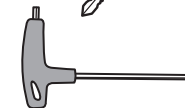
Check all the contents:



Crossbars x2



Key set x1



Allen wrench tool x1



Plastic spare caps x8



Rubber strips x2

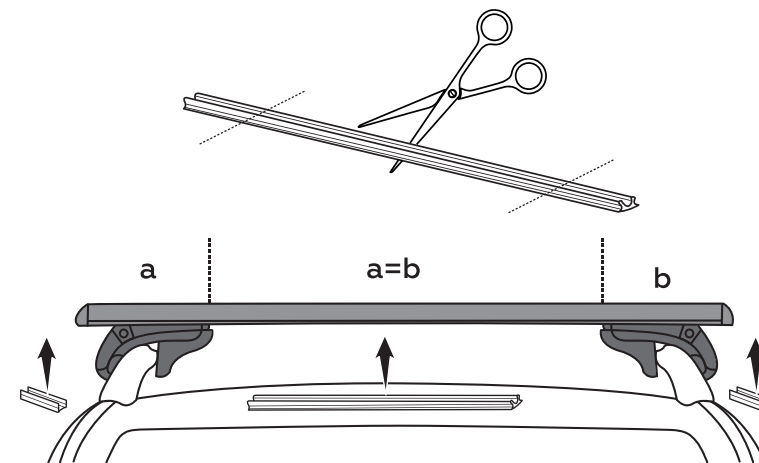


Great Quality for Great Adventures.

<https://www.roofpax.com>

## Rubber Strip Installation OPTIONAL

Measure and cut the rubber strip in 3 parts according to the crossbar position on your car. Slide the parts in the gap at the bottom of both cross rails.



7



## FEEDBACK

### Feedback and Help

Contact our 24/7 Support Team anytime at:  
[support@roofpax.com](mailto:support@roofpax.com)

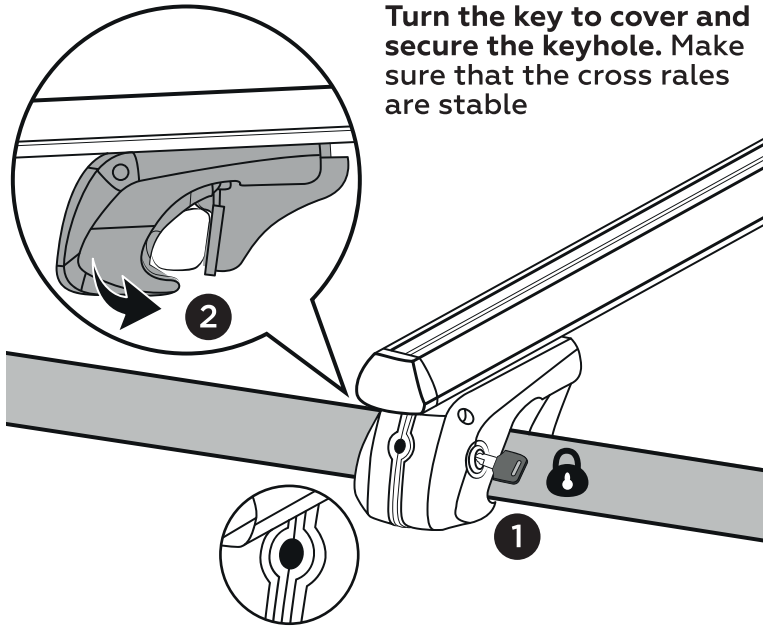


Activate Your  
Warranty:



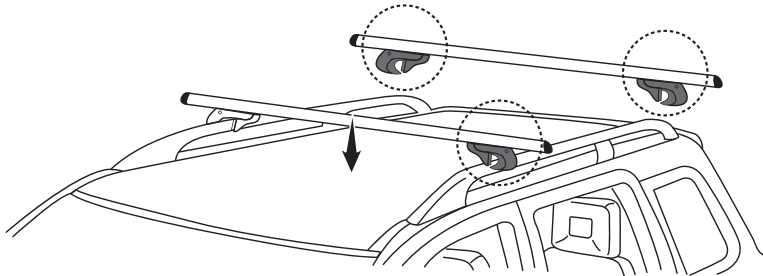
[roofpax.com/warranty](https://roofpax.com/warranty)

5



6

Repeat the same on the remaining ends.



**Installation complete**

## TABLE OF CONTENTS

Warnings	4
Precautions	5
Compability	6
Preparation	7
Installation	8
Feedback	11

Activate Your  
Warranty:



[roofpax.com/warranty](https://roofpax.com/warranty)

Activate Your  
Warranty:



[roofpax.com/warranty](https://roofpax.com/warranty)



## WARNINGS

**Read and understand all warnings and instructions carefully**, failure to do so may result in product damage, property damage and/or personal injury and. Save these warnings for future reference.

- To avoid damage to vehicles roof, it's recommended that 2 people attach, remove and load crossbars.
- Whenever possible attach tie-downs to vehicles raised roof rails.
- Re-check and adjust cargo securement if sudden or unexpected bump, jolt, shock, this may have caused movement.
- Carrying loads will affect the vehicles handling and stability, avoid heavy braking, acceleration and cornering.
- Crossbars are not to be used in strong wind conditions.
- Do not leave loose cargo on the crossbars while the vehicle is moving.
- Do not use it if any part of the crossbar is damaged. When servicing, use only identical replacement parts approved by the manufacturer
- Do not store or keep crossbars on the vehicle for an extended period of time.
- Do not allow any part of the load to overhang the ends of the crossbars.
- Check securely of the cargo and the attachments regularly at fuel and rest stops.
- Remove crossbars when not in use or when going through a carwash.
- Beware of the clearance between the cargo carrier and your roof top before operating the sunroof (if applicable). Failure to do so may cause damage to your vehicles sunroof or cargo.
- These crossbars and requirements of cargo management may vary by State and County. Please consult with appropriate agencies for proper usage.
- Beware that carrying loads on the roof of a vehicle can affect the drivability and fuel economy on your vehicle.

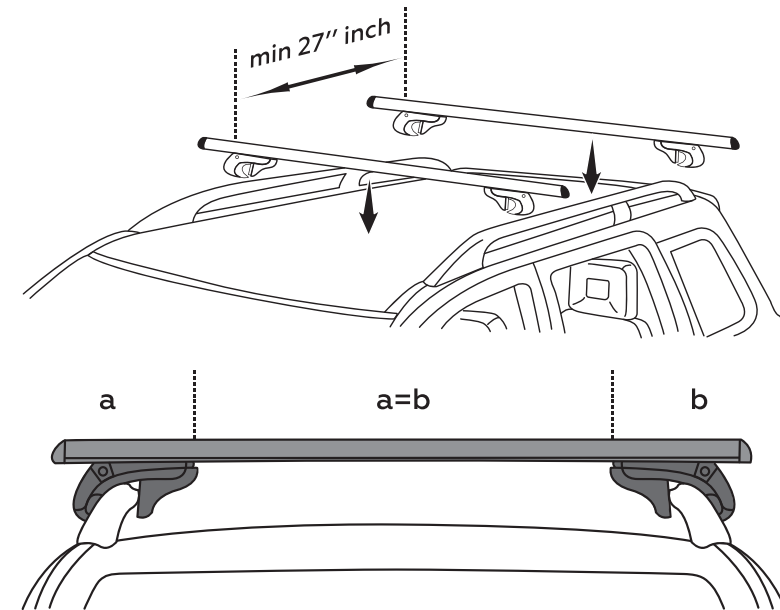
### ⚠ CARE-MAINTENANCE-STORAGE

As with any equipment, it is recommended that you keep your product and surface clean after each use. Hand wash the product with mild soap and water only, using a non-abrasive cloth. Store your crossbars indoors in a dry location.

### ⚠ CAUTION

Allied International is not responsible for the attachment and installation of this product. Allied International is not liable for any damage resulting from the improper attachment and use of this product.

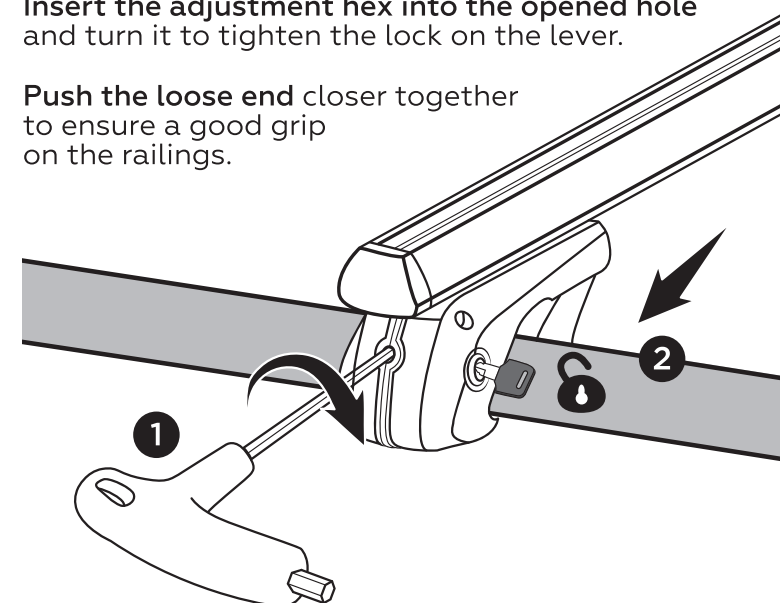
Place the bars on the vehicle, make sure that the bars are placed symmetrically.



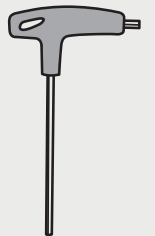
3

Insert the adjustment hex into the opened hole and turn it to tighten the lock on the lever.

Push the loose end closer together to ensure a good grip on the railings.



4



Activate Your Warranty:



roofpax.com/warranty

Activate Your Warranty:



roofpax.com/warranty

# INSTALLATION

**CAUTION** Do not over-tighten the knobs.

1

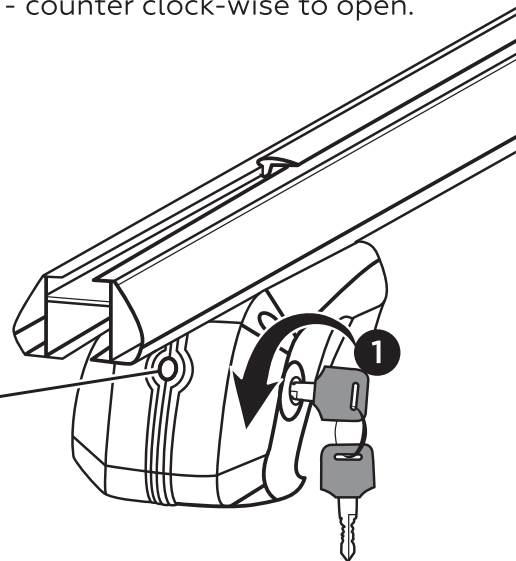
Use the key to unlock the clamp. Make sure it changes the lock - counter clock-wise to open.



CLOSED

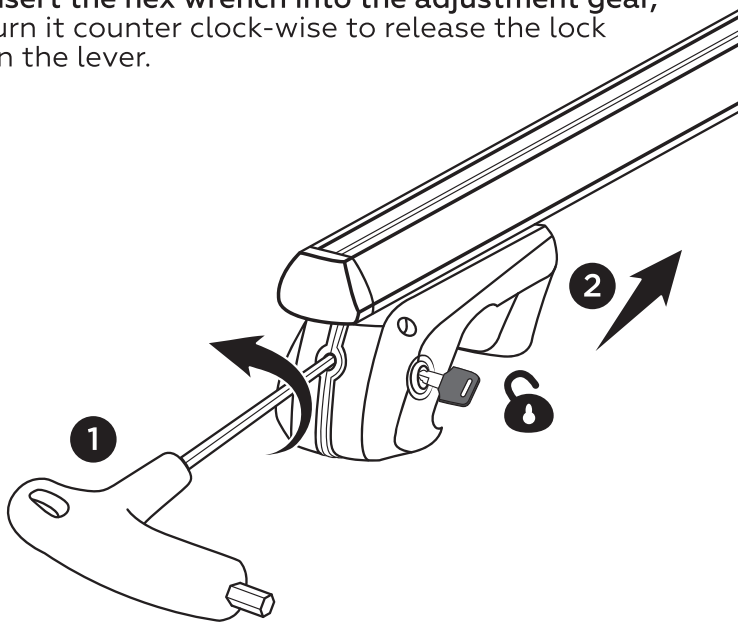
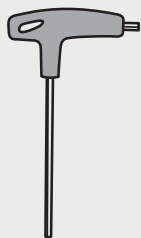


OPENED



2

Insert the hex wrench into the adjustment gear, turn it counter clock-wise to release the lock on the lever.



Activate Your Warranty:

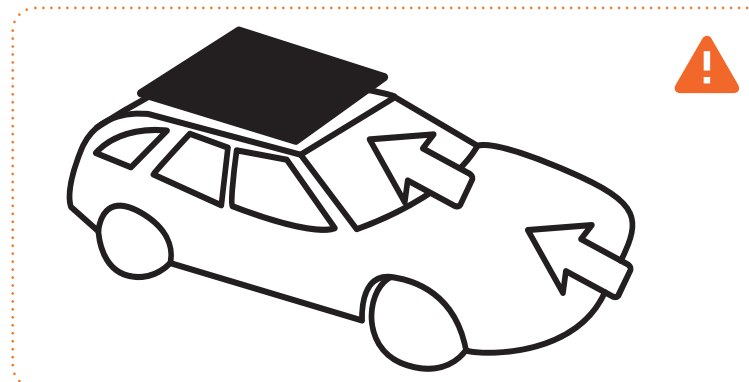


[roofpax.com/warranty](http://roofpax.com/warranty)

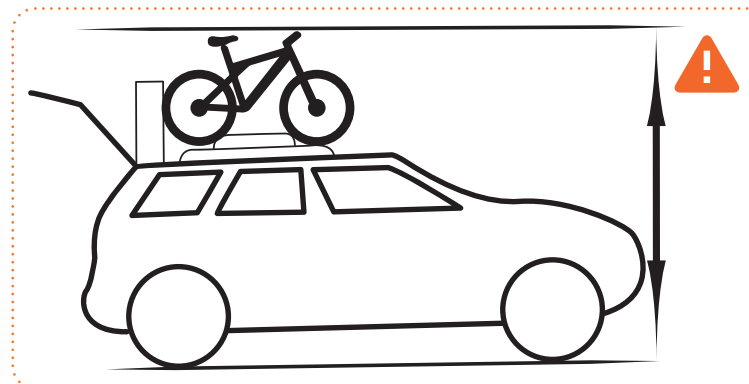
# PRECAUTIONS



Maximum load capacity 150lbs (68 kg)



Securely fasten load



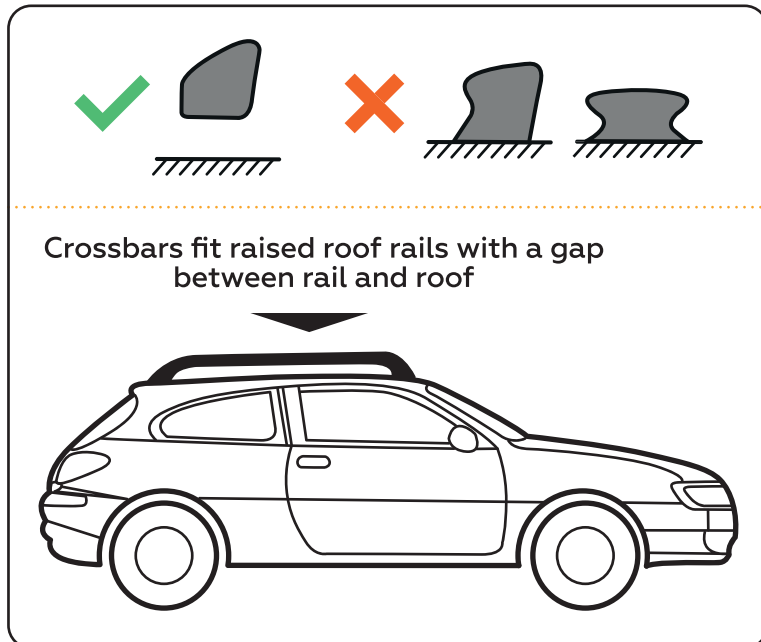
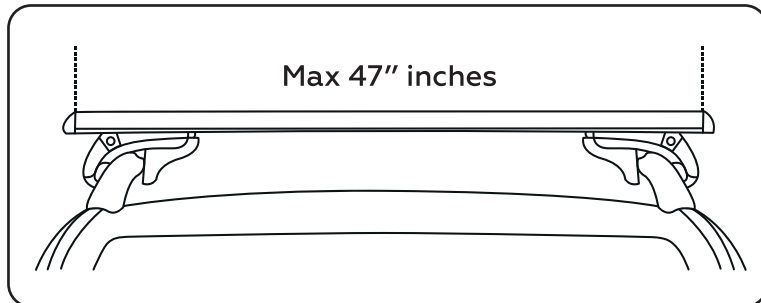
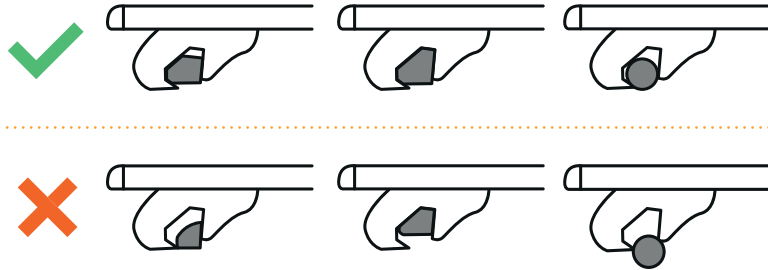
Activate Your Warranty:



[roofpax.com/warranty](http://roofpax.com/warranty)

# COMPABILITY

Make sure you have the right bars - Roof rail diameter



# PREPARATION

**!** IMPORTANT, RETAIN FOR FUTURE REFERENCE:  
**■** READ CAREFULLY.

## Before first use

- Check the product for transport damages.
- Remove all the package materials.
- Clean the vehicles roof and those parts of the product that come into contact with the roof before installation.

## Before assembly

- Check for any special fitting positions from the vehicle's assembly instructions, or required minimum distance between the load carrier bars.

**DANGER** Risk of suffocation! Keep any packaging materials away from children - these materials are a potential source of danger, e.g. suffocation.

## Cleaning & Maintenance

**CAUTION** Risk of damage! Do not take the product through the car wash.

## Cleaning

- To clean the product, wipe with a soft, slightly moist cloth.
- Never use corrosive detergents, wire brushes, abrasive scourers, metal or sharp utensils to clean the product.

## Maintenance

- Regularly check that all the components and fasteners are tightened.
- The load carrier must always be cleaned and maintained, especially in winter.
- Store this product in a cool and dry place away from children and pets, ideally in its original packaging.
- When not in use this product should be removed from the vehicle.

## Specifications

Gross weight	10 lbs (4.5 kg)
Dimensions (WxHxD)	54x4x5" (136x10.5x13cm)
Maximum load	132 lbs (60 kg)



Activate Your  
Warranty:



roofpax.com/warranty

Activate Your  
Warranty:



roofpax.com/warranty