

ACTIVATE YOUR WARRANTY *TODAY!* Text **'Roofpax'** to 833-833-3381

24/7 Customer Support: **SUPPORT@ROOFPAX.COM**



RoofPax™ User Manual Guide

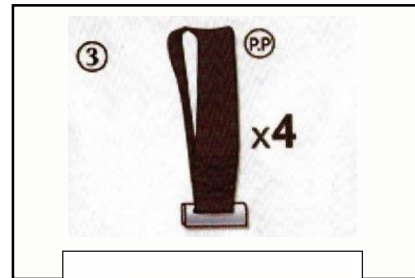
How to set and secure the RoofPax to a Non-Rack car roof by using the hooks:



1. Locate the door frame rubber seal



2. Pull down the rubber seal



3. Locate the 4 door hooks



4. Attach the hook to the iron frame

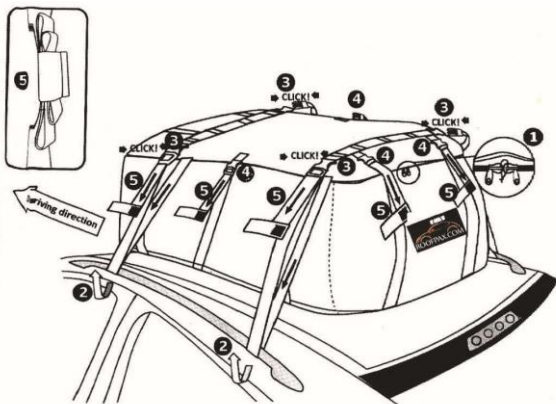


5. Push back the rubber seal to secure the hook in place



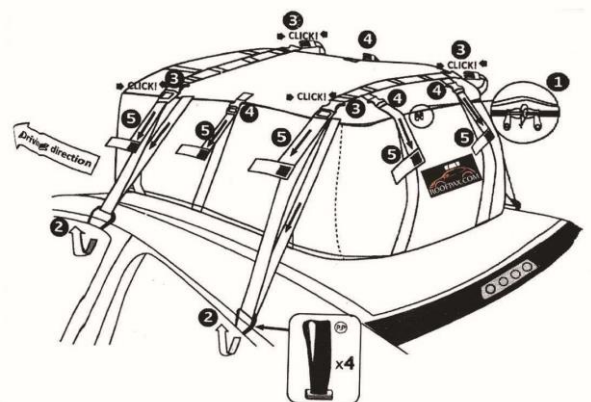
6. Use the hooks to tighten and secure the bag straps

Securing the bag to a Roof Rack:



- 1. SBS Zipper and metal holder
- 2. Door hook straps
- 3. Side Main Buckles Velcro holders

Securing the bag to door hooks:



- 4. Secondary straps for rack
- 5. Tightening straps

WARNING: USING THIS PRODUCT NOT ACCORDING TO THE INSTRUCTIONS OR LEAVING EXCESS MATERIALS THAT MAY FLAP IN THE WIND CAN CAUSE DAMAGE TO YOUR VEHICLE OR PASSANGERS.



Use the strap Velcro holders to prevent straps from flapping:



Mounting your luggage and securing the carrier bag



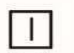


1. The RoofPax Rooftop bag has 10 straps all around (3 on each side and 2 more in front and back) its compatible with vehicles that have: raised side-rails, crossbars, roof rack, baskets or by using the hook straps.
2. Clean the vehicle's roof of all dirt and debris.
3. Unzip the carrier bag and place it on the top of vehicle with the non-zippered end facing the front.
4. Load your gear within the shape of the carrier, place pointy or sharp-edged items in the middle and softer items around them.
5. Close the zippers as you fill the carrier bag from the front to the rear.
6. Fold down the zipper protective flap and strongly tighten the straps (minimum 4) using the door hook loops so the bag is strongly fastened to the vehicle.

ALWAYS Store your RoofPax inside the original storage bag and store it in a dry place.

STORAGE INSTRUCTIONS

- ✓ To clean your RoofPax use warm soapy water and a gentle brush.
- ✓ If needed after a heavy usage period, you can renew the water repellent properties of the bag's fabric by spraying a waterproof repellent for PVC fabric.
- ✓ We recommend never to machine wash, tumble/rolover dry, bleach or dry clean the bag.
- ✓ Do not Iron.
- ✓ To ensure materials retain their properties such as waterproofing, zippers, buckles etc....

Any Problem? Contact Us 24/7: SUPPORT@ROOFPAX.COM

Washing Instructions				
				
Hand wash	Do not bleach	Line dry	Do not iron	Do not rolover dry



WARNINGS

To eliminate excess materials, try always to pack the bag to its full capacity, if unable to pack fully, fill in the front of the bag first and pull the straps all the way down over the non-filled parts of the bag. We, at RoofPax, take our customers' safety very seriously! For that reason, we use the best materials and wordsmanship to allow you a safe ride. Nevertheless, The RoofPax customers are aware that they use any of our products at their own risk without any liability from RoofPax whatsoever. Using any rooftop cargo bag unsafely or irresponsibly can cause serious injuries or even fatalities - Make sure you use RoofPax Responsibly for a successful and safe ride.